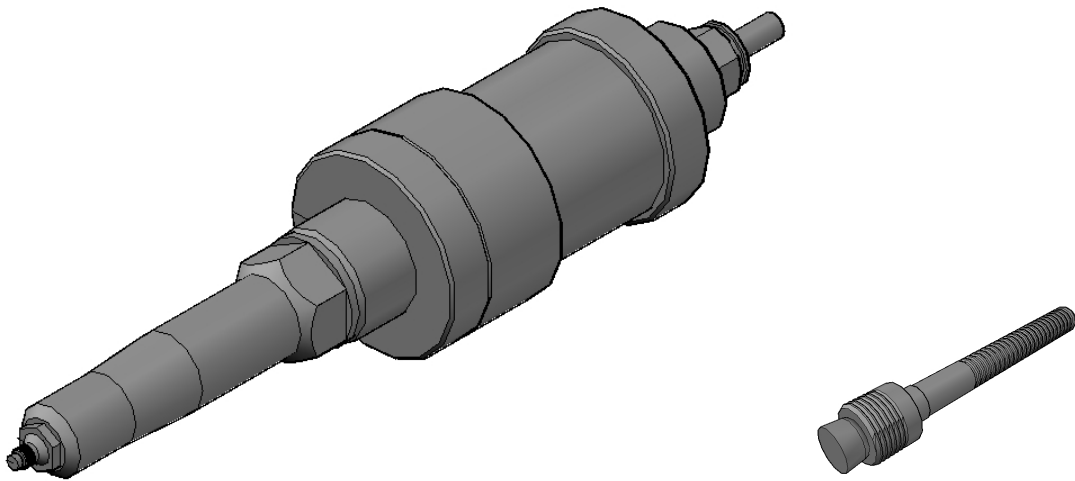




Tool for plugs Ø 4-6 mm



Characteristics / features:

- tool for plugs with mandrel derivation
- double bearing of the piston rod
- large distance between bearings
- power reserve by piston Ø 40 mm
- applicable for linear units
- ideal for robotic applications
- optionally with automatic feeding system
- ready for process monitoring
- pressure booster with integrated oil reservoir

Specifications:

| | | |
|---------------------------|-------|----|
| plug-Ø | 4-6 | mm |
| setting force (5/195 bar) | 16 | kN |
| setting force (6/234 bar) | 19 | kN |
| stroke | 18 | mm |
| mandrel derivation-Ø | 4 | mm |
| division | 0,794 | mm |
| sleeves-Ø | 23/26 | mm |
| cylinder-Ø | 65 | mm |
| total length | 281 | mm |
| connection, hydraulic | G1/4 | mm |
| connection, pneumatic | M5 | |
| weight | 2,65 | kg |

