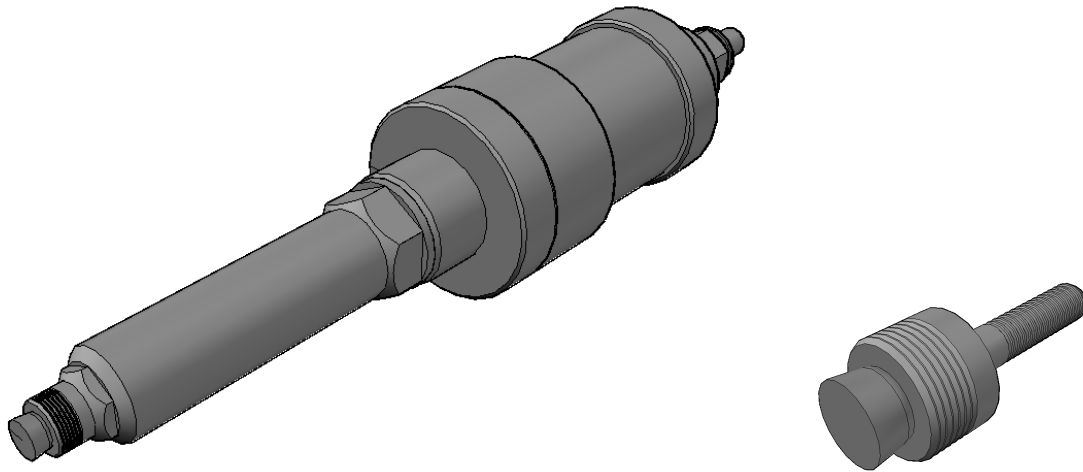




Tool for plugs Ø 12-16 mm



Characteristics / features:

- tool for plugs with mandrel derivation
- double bearings of the piston rod
- large distance between bearings
- power reserve by piston Ø 40 mm
- applicable for linear units
- ideal for robotic applications
- optionally with automatic feeding system
- ready for process monitoring
- pressure booster with integrated oil reservoir

Specifications:

plug-Ø	12-16	mm
setting force (6/234 bar)	19	kN *)
setting force (5/305 bar)	26	kN *)
stroke	18	mm
mandrel derivation-Ø	7	mm
division	1,2	mm
sleeves-Ø	28	mm
cylinder-Ø	65	mm
total length	285	mm
connection, hydraulic	G1/4	
connection, pneumatic	M5	
weight	2,75	kg

*) depending on pressure booster

