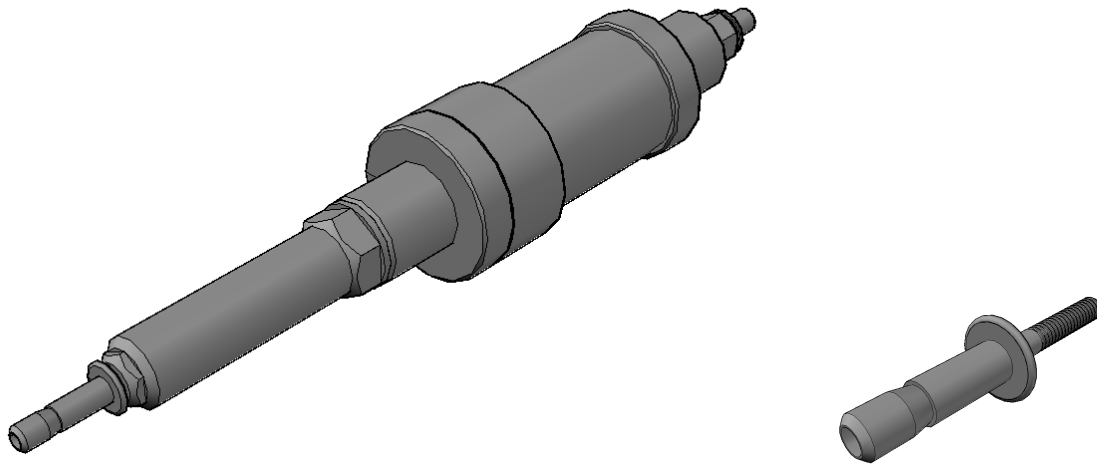




Tool for blind rivets Ø 9,8 mm



Characteristics / features:

- tool for blind rivets with mandrel derivation
- double bearings of the piston rod
- large distance between bearings
- power reserve by piston Ø 40 mm
- applicable for linear units
- ideal for robotic applications
- optionally with automatic feeding system
- ready for process monitoring
- pressure booster with integrated oil reservoir

Specifications:

blind rivet-Ø	9,8	mm
setting force (6/366 bar)	31	kN
stroke	30	mm
mandrel derivation-Ø	7	mm
division	1,2	mm
sleeves-Ø	28	mm
cylinder-Ø	65	mm
total length	327	mm
connection, hydraulic	G1/4	
connection, pneumatic	M5	
weight	3,24	kg

