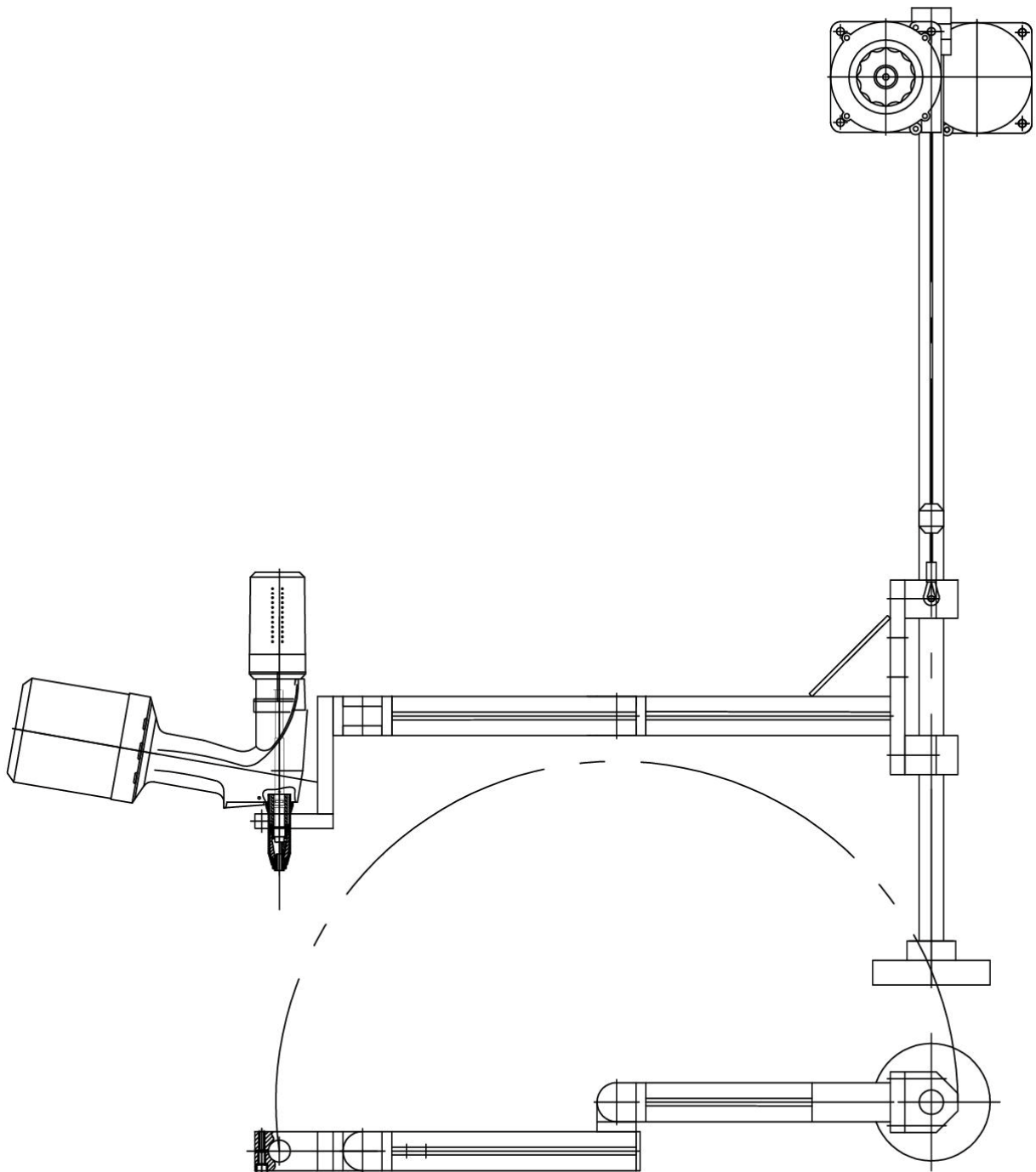


# Tool holder with articulated arm



Tool holder with articulated arm and rivet tool AP3