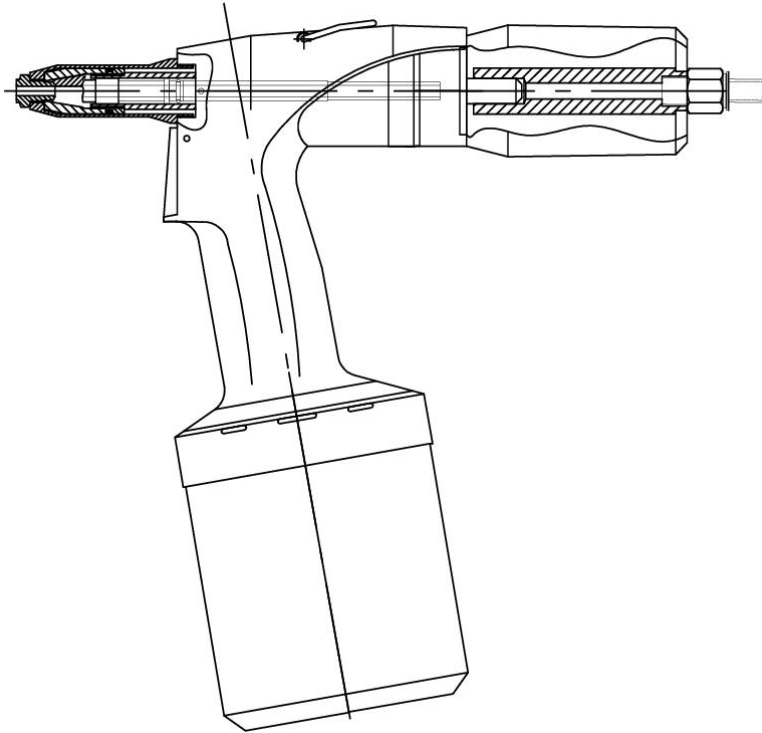


Tool AP3 with adapter for deriving the mandrels



Tool AP3 with adapter for deriving the mandrels



mandrel container