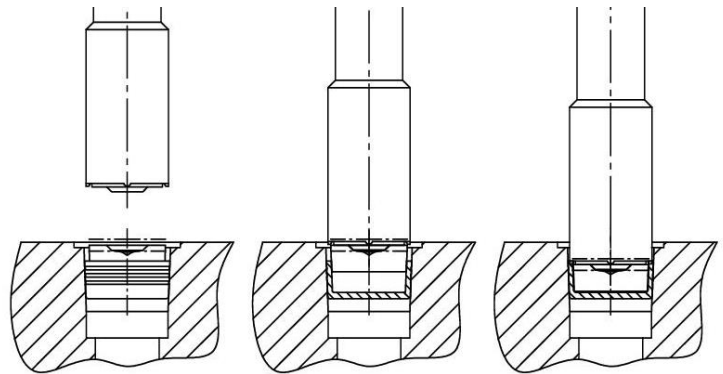
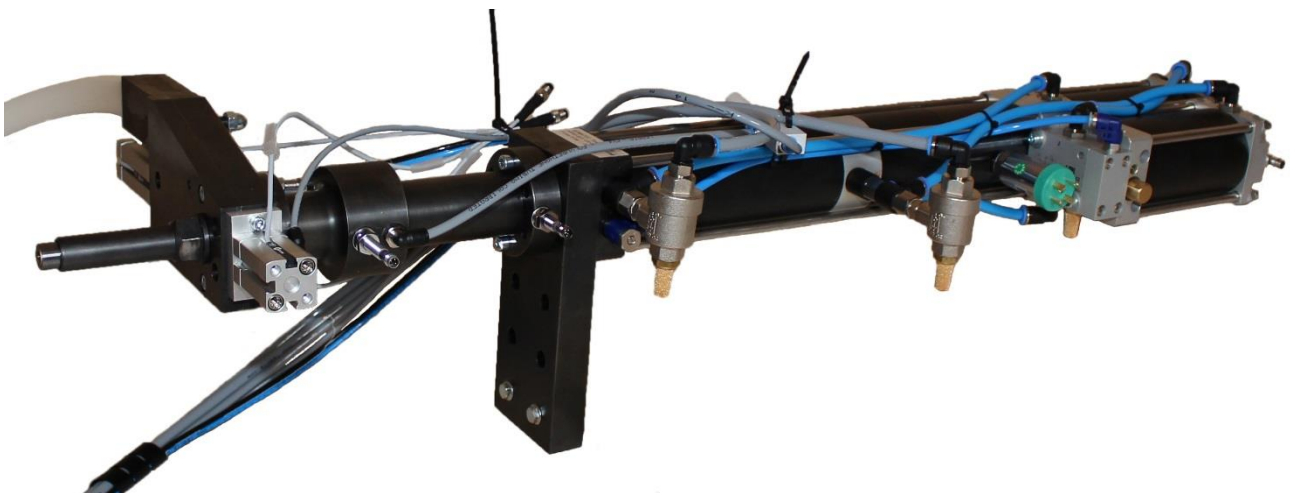


Automation conical plugs



Conical plug $\varnothing 16$ mm and installation tool



Powercylinder, 120 mm total stroke, 8 mm power stroke, 13 kN with 6 bar

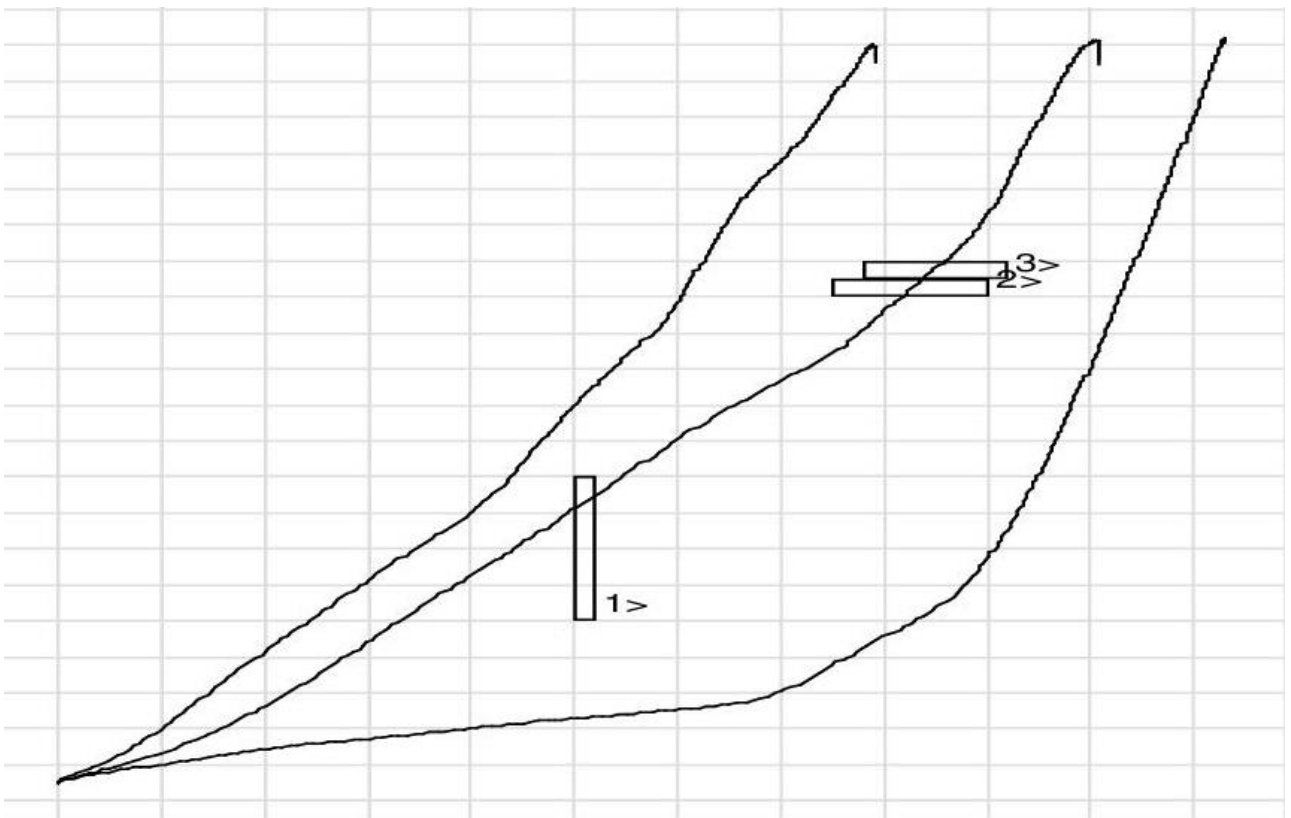


Feeding system with sound insulation and separation





Process monitoring Digiforce 9310



Conical plug 16 mm various faults